







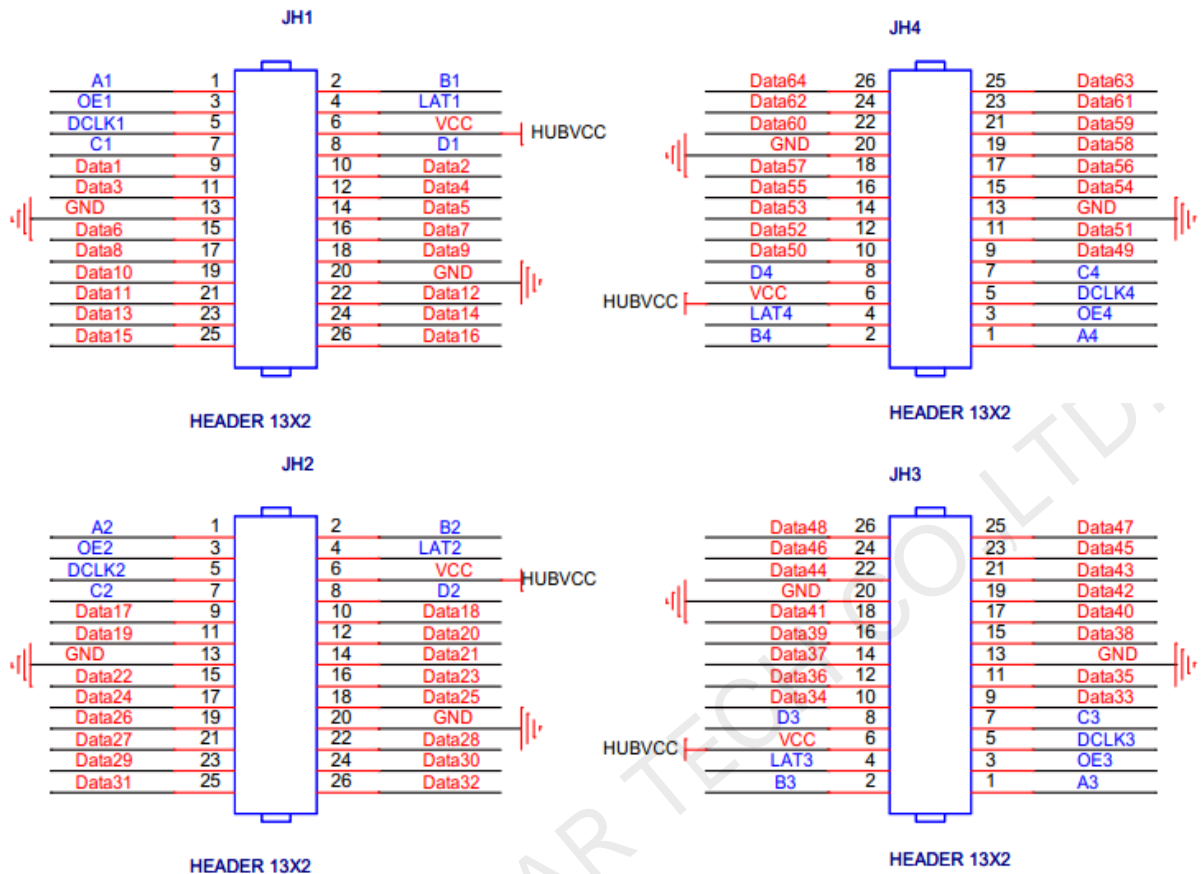








## 64 Groups of Serial Data



Pin Definitions (Take JH1 as an example)					
Line decoding signal	A1	1	2	B1	Line decoding signal
Display enable signal	OE1	3	4	LAT1	Latch signal
Shift clock signal	DCLK1	5	6	VCC	Reserved 3.3 V output pin with a maximum output current of 50 mA
Line decoding signal	C1	7	8	D1	Line decoding signal
/	Data1	9	10	Data2	/
/	Data3	11	12	Data4	/
Ground	GND	13	14	Data5	/
/	Data6	15	16	Data7	/
/	Data8	17	18	Data9	/
/	Data10	19	20	GND	Ground
/	Data11	21	22	Data12	/
/	Data13	23	24	Data14	/
/	Data15	25	26	Data16	/

## Specifications

Maximum Loading Capacity	256 × 256 pixels	
Electrical Specifications	Input voltage	DC 3.3 V to 5.5 V
	Rated current	0.5 A
	Rated power consumption	2.5 W
Operating	Temperature	-20°C to +70°C



Environment	Humidity	10% RH to 90% RH, non-condensing
Storage Environment	Temperature	-25°C to +125°C
	Humidity	0% RH to 95% RH, non-condensing
Physical Specifications	Dimensions	138.9 mm × 47.9 mm × 17.5 mm
	Net weight	58.4 g
Packing Information	Packing specifications	An antistatic bag and anti-collision foam are provided for each receiving card. Each packing box contains 100 receiving cards.
	Packing box dimensions	650.0 mm × 500.0 mm × 200.0 mm
Certifications	RoHS, EMC Class A	

The amount of current and power consumption may vary depending on factors such as product settings, usage, and environment.

**Copyright © 2020 Xi'an NovaStar Tech Co., Ltd. All Rights Reserved.**

No part of this document may be copied, reproduced, extracted or transmitted in any form or by any means without the prior written consent of Xi'an NovaStar Tech Co., Ltd.

**Trademark**

**NOVA STAR** is a trademark of Xi'an NovaStar Tech Co., Ltd.

**Statement**

Thank you for choosing NovaStar's product. This document is intended to help you understand and use the product. For accuracy and reliability, NovaStar may make improvements and/or changes to this document at any time and without notice. If you experience any problems in use or have any suggestions, please contact us via the contact information given in this document. We will do our best to solve any issues, as well as evaluate and implement any suggestions.

XI'AN NOVASTAR TECH CO., LTD.

| [Official website](http://www.novastar.tech)  
| [www.novastar.tech](http://www.novastar.tech)

| [Technical support](mailto:support@novastar.tech)  
| [support@novastar.tech](mailto:support@novastar.tech)